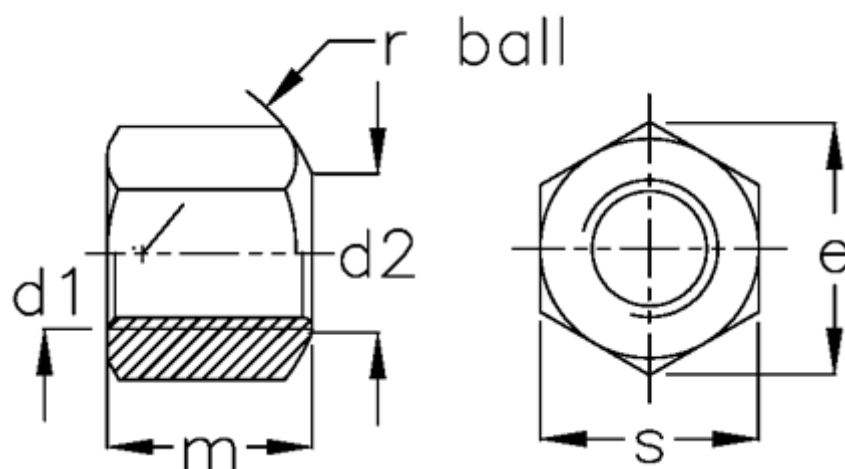


Article number: 206330M16B  
Description: E+G Hexagon nut  
DIN 6330-M16-B

## Measures



d1 = m16

d2 = 18.0

e = 27.7

m = 24

r = 22

s = 24